

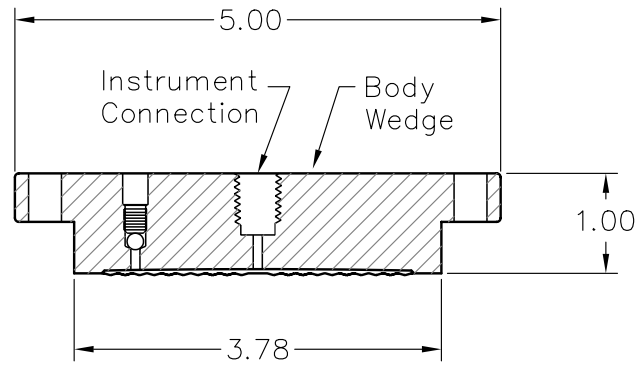
## Chemical Tee Model Selection Guide

Code	Seal Type	Model Number Example: FW3.5R-1FTSLD-XX	
F	Flanged Seal		
Code	Diaphragm Type		
W	Welded Diaphragm		
Code	Diaphragm Size		
3.5	3.5" Diameter Diaphragm		
Code	Seal Version		
R	Chemical Tee		
Code	Instrument Connection		
1F	1/4" NPT Female	All RJ Global filled transmitter systems feature welded connections at no additional charge. Gauge and switch applications are welded as standard when process pressure will exceed 400PSI or as requested by customer.	
2F	1/2" NPT Female		
Code	Process Connection		
T	Taylor Wedge Flow Meter		
Code	Diaphragm Material	Body Material (Wetted)	
SL	316L Stainless Steel	316L Stainless Steel	
S4	304L Stainless	304L Stainless Steel	
C2	Carpenter 20 (Alloy 20)	Carpener 20(Alloy 20)	
HC	Hastelloy C-276	316L Stainless Steel	
H2	Hastelloy C-276	Hastelloy C-276	
HB	Hastelloy B-2	316L Stainless Steel	
H3	Hastelloy B-2	Hastelloy B-2	
I6	Inconel 600	Inconel 600	
MM	Monel 400	Monel 400	
N2	Nickel 200	Nickel 200	
T4	Titanium Grade 4	Titanium Grade 4	
Z7	Zirconium 702	Zirconium 702	
Code	RJ Global Filled System Option		
D	Dry Seal ONLY		See Pages 52 - 53 for Filled Systems
F	Filled System		
Code	Special Options - Separate Code Selection(s) with Dashes	Examples: -XX or -MC - CC	
XX	No Special Options		
MC	Materials Certification		
CD	Certified Seal Drawing		
CC	Certificate of Compliance		

All descriptive model numbers in this catalog are assigned an Engineering Control Number during the order entry process. This ensures that any special requirements not defined in the catalog are included in the Bill of Material. The Engineering Control Number is a 4 digit suffix to the base model number and should be referred to, if known, in all correspondence with RJ Global. (Ex. FW3.5R.XXXX)

Dimensional Information on Next Page

Chemical Tee Diaphragm Seal



Chemical Tee Diaphragm Seal

