

## Elastomeric Seal Model Selection Guide

Code	Seal Type	Model Number Example: FE2.9A-02F0101SLVD-XX	
F	Flanged Seal	Caution: See Process Connection Restrictions	
T	Threaded Seal		
Code		Diaphragm Type	
E	Elastomeric Diaphragm		
Code		Diaphragm Size	
2.9	2.9" Diameter Diaphragm		
Code		Seal Version	
A	No Flushing Connection		
B	NPT Flushing Connection		
W	Socket Weld Flushing Connection		
Code		Flush Port Size and Quantity	
0	No Flushing Connection		
1	One 1/4" Flushing Connection		
2	Two 1/4" Flushing Connections		
3	One 1/2" Flushing Connection		
4	Two 1/2" Flushing Connections		
Note: Seal Version selected above determines Flushing Connection type.			
Code		Instrument Connection	
1F	1/4" NPT Female	All RJ Global filled transmitter systems feature welded connections at no additional charge. Gauge and switch applications are welded as standard when process pressure will exceed 400PSI or as requested by customer.	
2F	1/2" NPT Female		
1M	1/4" NPT Male		
2M	1/2" NPT Male		
Code		Process Connection Size	
		Process Connection Restrictions	
		FE2.9	TE2.9
025	1/4"	N/A	●
050	1/2"	N/A	●
075	3/4"	N/A	●
010	1"	●	●
015	1-1/2"	●	N/A
020	2"	●	N/A
030	3"	●	N/A
Code		Process Connection Type	
N	Threaded FNPT		
1	ANSI 150 Flanged		
3	ANSI 300 Flanged		
Code		Lower Material	
SL	316L Stainless Steel		
S4	304L Stainless		
C2	Carpenter 20 (Alloy 20)		
HC	Hastelloy C-276		
HB	Hastelloy B-2		

Continued on Next Page

## Elastomeric Seal Model Selection Guide

Code	Lower Material Continued	
H4	Hastelloy B-4	
I6	Inconel 600	
H4	Inconel 625	
M4	Monel 400	
T4	Titanium Grade 4	
Z7	Zirconium 702	
TF	Teflon - Virgin	
TG	Teflon - 25% Glass Filled	
Warning: Maximum Pressure Rating - 200 PSI		
Code	Diaphragm Material	Upper Material (Non-Wetted)
V	Viton	316L Stainless Steel
Code	RJ Global Filled System Option	
D	Dry Seal ONLY	
F	Filled System	See Pages 52 - 53 for Filled Systems
Code	Special Options - Separate Code Selection(s) with Dashes	Examples: -XX or -MC - CC
XX	No Special Options	
MC	Materials Certification	
CD	Certified Seal Drawing	
CC	Certificate of Compliance	

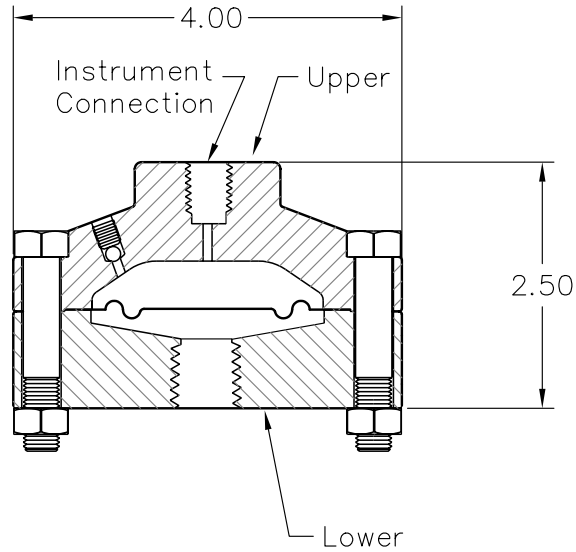
**Model Number Example: FE2.9A-02F0101SLVD-XX**

All descriptive model numbers in this catalog are assigned an Engineering Control Number during the order entry process. This ensures that any special requirements not defined in the catalog are included in the Bill of Material. The Engineering Control Number is a 4 digit suffix to the base model number and should be referred to, if known, in all correspondence with RJ Global. (Ex. FE2.9A.XXXX)

**Note: A properly designed diaphragm seal system requires knowledge of the process, measuring instrument, and seal. Please refer to the Diaphragm Seal Selection Guide section for detailed information on selecting a diaphragm seal.**

Dimensional Information on Next Page

## Threaded Elastomeric Seal



Consult RJ global for dimensional information on the flanged style elastomeric diaphragm seal.

## Threaded Elastomeric Seal

