

## Extended Flanged Type Model Selection Guide

Code	Seal Type	Model Number Example: FW2.8E-2F3016RSSLXD-XX		
F	Flanged Seal			
Code	Diaphragm Type			
W	Welded Diaphragm			
Code	Extension Diameter / Diaphragm Size			
2.4	2.4" Diameter Diaphragm	Caution: See Process Connection Restrictions Consult RJ Global for Non Standard Extension Diameters		
2.8	2.8" Diameter Diaphragm			
3.5	3.5" Diameter Diaphragm			
Code	Seal Version			
E	Extended Flanged Type			
Code	Instrument Connection			
1F	1/4" NPT Female	All RJ Global filled transmitter systems feature welded connections at no additional charge. Gauge and switch applications are welded as standard when process pressure will exceed 400PSI or as requested by customer.		
2F	1/2" NPT Female			
1M	1/4" NPT Male			
2M	1/2" NPT Male			
Code	Process Connection	Process Connection Restrictions		
		FW2.4	FW2.8	FW3.5
301	3" ANSI 150 Flanged	●	●	N/A
303	3" ANSI 300 Flanged	●	●	N/A
306	3" ANSI 600 Flanged	●	●	N/A
401	4" ANSI 150 Flanged	●	●	●
DIN	DIN DN80-PN40	●	●	N/A
Code	Extension Length			
2	2.0" Extension Length	Consult RJ Global for Non Standard Extension Lengths		
4	4.0" Extension Length			
6	6.0" Extension Length			
Code	Flange Type			
R	Raised Face Flange			
J	Ring Type Joint			
F	Flat Face Flange			
Code	Flange Material			
C	Nickel Plated Carbon Steel Flange			
S	316 Stainless Steel Flange			
Code	Diaphragm Material	Body Material (Wetted)		
SL	316L Stainless Steel	316L Stainless Steel		
S4	304L Stainless	304L Stainless Steel		
C2	Carpenter 20 (Alloy 20)	Carpenter 20 (Alloy 20)		
HC	Hastelloy C-276	316L Stainless Steel		
H2	Hastelloy C-276	Hastelloy C-276		
HB	Hastelloy B-2	316L Stainless Steel		
H3	Hastelloy B-2	Hastelloy B-2		

Continued on Next Page

## Extended Flanged Type Model Selection Guide

Code	Diaphragm Material Continued	Body Material (Wetted)
I6	Inconel 600	Inconel 600
MM	Monel 400	Monel 400
N2	Nickel 200	Nickel 200
T4	Titanium Grade 4	Titanium Grade 4
Z7	Zirconium 702	Zirconium 702

Code	Diaphragm Options
X	None
T	Teflon Coated Diaphragm
G	Gold Plated Diaphragm
2	0.002-in Diaphragm Thickness
5	0.005-in Diaphragm Thickness

These are standard options for 316L Stainless Steel Diaphragm material. Contact RJ Global for other materials. Note: Standard diaphragm thickness is 0.003-in.

Code	RJ Global Filled System Option
D	Dry Seal ONLY
F	Filled System

See Pages 52 - 53 for Filled Systems

Code	Special Options - Separate Code Selection(s) with Dashes	Examples: -XX or -MC - CC
XX	No Special Options	
MC	Materials Certification	
CD	Certified Seal Drawing	
CC	Certificate of Compliance	
CL	Clean and Bag for Chlorine Service	
O2	Clean and Bag for Oxygen Service	

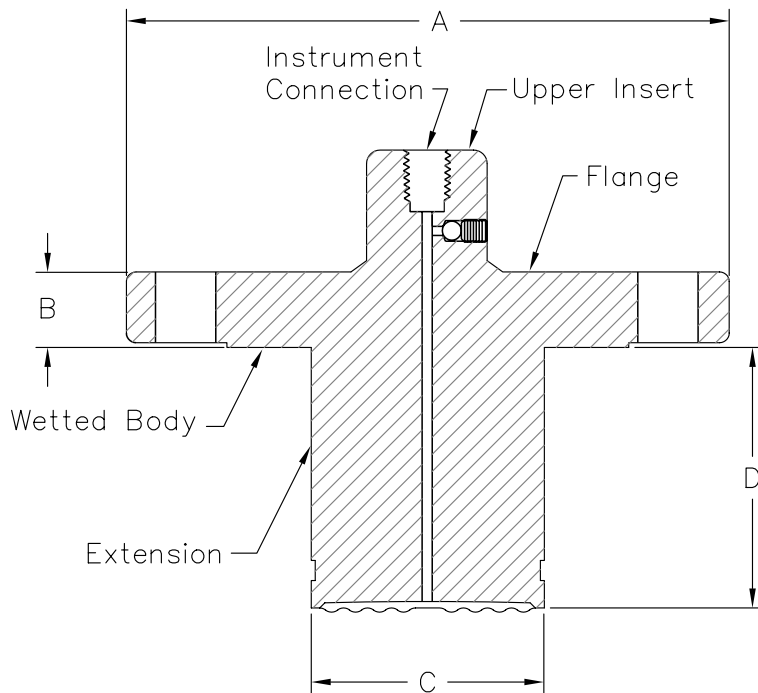
**Model Number Example: FW2.8E-2F3016RSSLXD-XX**

All descriptive model numbers in this catalog are assigned an Engineering Control Number during the order entry process. This ensures that any special requirements not defined in the catalog are included in the Bill of Material. The Engineering Control Number is a 4 digit suffix to the base model number and should be referred to, if known, in all correspondence with RJ Global. (Ex. FW2.8E.XXXX)

**Note: A properly designed diaphragm seal system requires knowledge of the process, measuring instrument, and seal. Please refer to the Diaphragm Seal Selection Guide section for detailed information on selecting a diaphragm seal.**

Dimensional Information on Next Page

# Extended Flanged



Process Connection	Dimensions		
	A	B	C
3" ANSI 150	7.50"	0.94"	2.40"
			2.80"
4" ANSI 150	7.50"	0.94"	2.40"
			3.50"
3" ANSI 300	8.25"	1.12"	2.40"
			2.80"
3" ANSI 600	8.25"	1.50"	2.40"
			2.80"
DIN DN80-PN40	7.87"	1.15"	2.40"
			2.80"
<b>D</b>	<b>Standard Extension Lengths:</b>		
	2.00"		
	4.00"		
	6.00"		

Extended Flanged Diaphragm Seal

