

Saddle Seal Model Selection Guide

| Code | Seal Type | Model Number Example: PW2.4J-2F4SLSLXAD-XX |
|------|------------------------------|---|
| P | In-Line Flow Thru | |
| Code | Diaphragm Type | |
| W | Welded Diaphragm | |
| Code | Diaphragm Size | |
| 2.4 | 2.4" Diameter Diaphragm | |
| Code | Seal Version | |
| J | Saddle Seal | |
| Code | Instrument Connection | |
| 1F | 1/4" NPT Female | All RJ Global filled transmitter systems feature welded connections at no additional charge. Gauge and switch applications are welded as standard when process pressure will exceed 400PSI or as requested by customer. |
| 2F | 1/2" NPT Female | |
| 1M | 1/4" NPT Male | |
| 2M | 1/2" NPT Male | |
| Code | Process Connection Size | |
| 3 | 3" Process Pipe ONLY | |
| 4 | 4" or Larger Process Pipe | |
| Code | Lower Body Material | |
| SL | 316L SS | |
| Code | Diaphragm Material | Upper Material (Non-Wetted) |
| SL | 316L Stainless Steel | 316L Stainless Steel |
| S4 | 304L Stainless | 316L Stainless Steel |
| C2 | Carpenter 20 (Alloy 20) | 316L Stainless Steel |
| HC | Hastelloy C-276 | 316L Stainless Steel |
| HB | Hastelloy B-2 | 316L Stainless Steel |
| I6 | Inconel 600 | 316L Stainless Steel |
| M4 | Monel 400 | 316L Stainless Steel |
| N2 | Nickel 200 | 316L Stainless Steel |
| TA | Tantalum | 316L Stainless Steel |
| T4 | Titanium Grade 4 | Titanium Grade 4 |
| Z7 | Zirconium 702 | Zirconium 702 |
| Code | Diaphragm Options | |
| X | None | |
| T | Teflon Coated Diaphragm | |
| G | Gold Plated Diaphragm | |
| 2 | 0.002-in Diaphragm Thickness | These are standard options for 316L Stainless Steel Diaphragm material. Contact RJ Global for other materials. Note: Standard diaphragm thickness is 0.003-in. |
| 5 | 0.005-in Diaphragm Thickness | |
| Code | Gasket / O-Ring Material | |
| A | Klinger C-4401 (Standard) | |
| B | CGR-2750 | |
| C | Grafoil | |
| D | Gylon 3510 | |

Continued on Next Page

Saddle Seal Model Selection Guide

| Code | Gasket / O-Ring Material Continued | |
|--------------------------------------|--|-----------------------------|
| E | Teflon | |
| F | Viton | |
| G | Buna-N | |
| H | Kalrez | |
| Code | RJ Global Filled System Option | |
| D | Dry Seal ONLY | |
| F | Filled System | |
| See Pages 52 - 53 for Filled Systems | | |
| Code | Special Options - Separate Code Selection(s) with Dashes | Examples: - XX or - MC - S6 |
| XX | No Special Options | |
| MC | Materials Certification | |
| CD | Certified Seal Drawing | |
| CC | Certificate of Compliance | |
| CL | Clean and Bag for Chlorine Service | |
| O2 | Clean and Bag for Oxygen Service | |
| S4 | 304 Stainless Steel Upper / Lower Fasteners | |
| S6 | 316 Stainless Steel Upper / Lower Fasteners | |

Model Number Example: PW2.4J-2F4SLSLXAD-XX

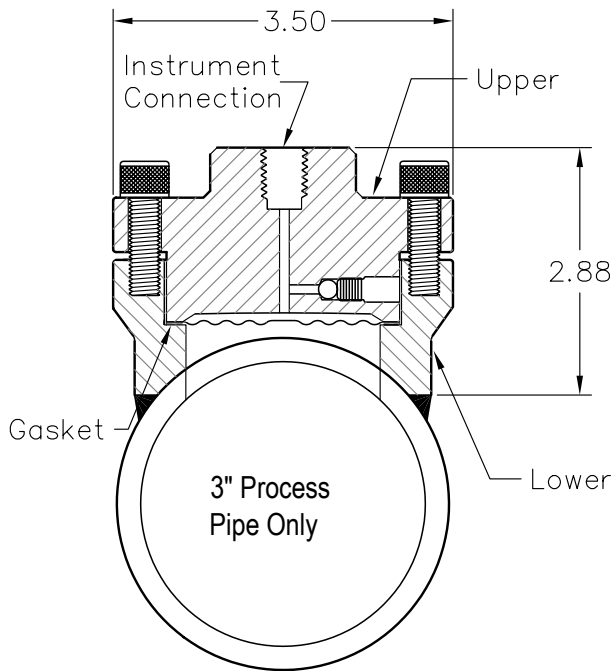
All descriptive model numbers in this catalog are assigned an Engineering Control Number during the order entry process. This ensures that any special requirements not defined in the catalog are included in the Bill of Material. The Engineering Control Number is a 4 digit suffix to the base model number and should be referred to, if known, in all correspondence with RJ Global. (Ex. PW2.4J.XXXX)

Note: A properly designed diaphragm seal system requires knowledge of the process, measuring instrument, and seal. Please refer to the Diaphragm Seal Selection Guide section for detailed information on selecting a diaphragm seal.

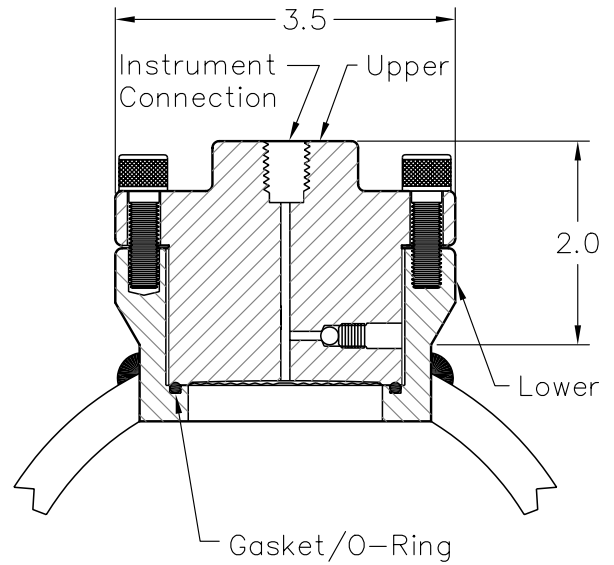
Dimensional Information on Next Page

Saddle Seal

3" Pipe Size Saddle Seal



4" or Large Pipe Size Saddle Seal



3" Pipe Size Saddle Seal



4" and Larger Pipe Size Saddle Seal

